

 WaterDirect



Water Direct Water Tanker
Building kit instructions

204 pcs

Keep Critical Operations Running - No Matter What

Bulk & Emergency Supply 24/7



READINESS

Site-ready
continuity and
resilience
planning



RESPONSE

Plan, mobilise &
recover — one
accountable
partner, backed
by a trusted
network



COVERAGE

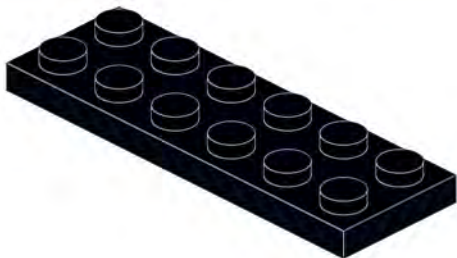
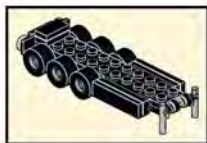
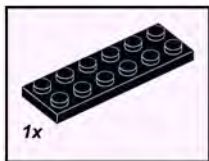
UK-leading
alternative supply
and delivery
network – 24/7



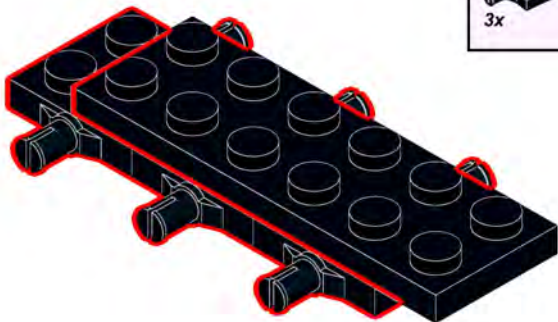
IMPACT

Risk & impact
assessments to
reduce downtime
exposure

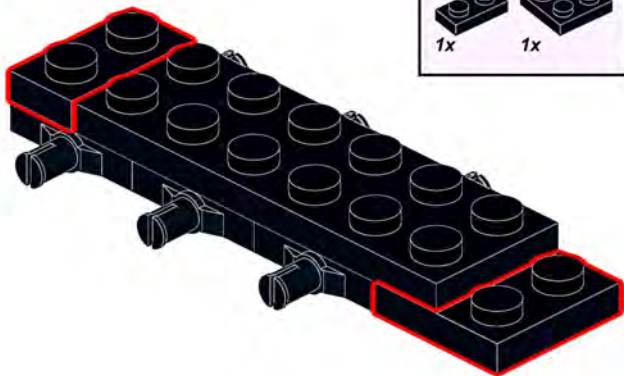
1



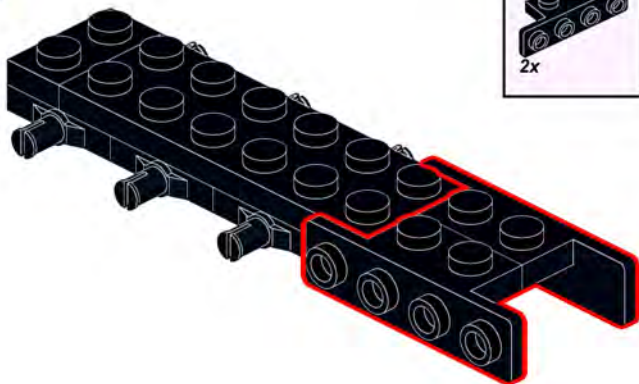
2



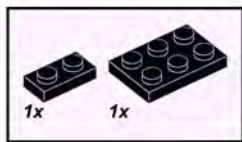
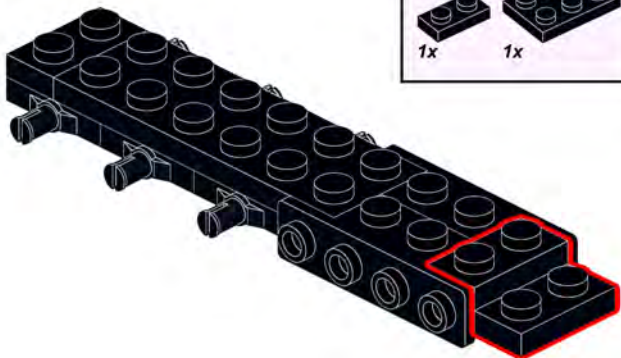
3



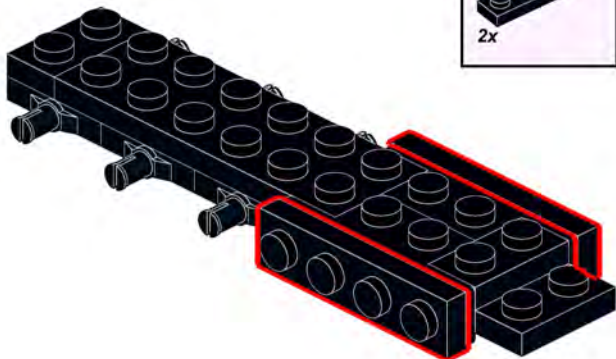
4



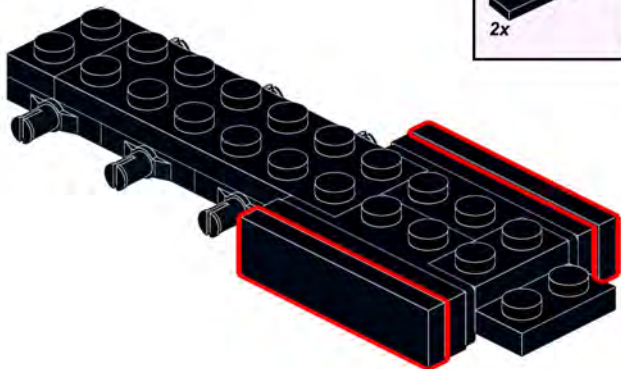
5



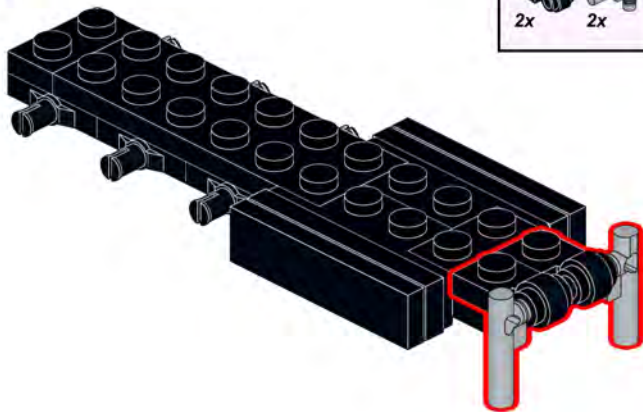
6



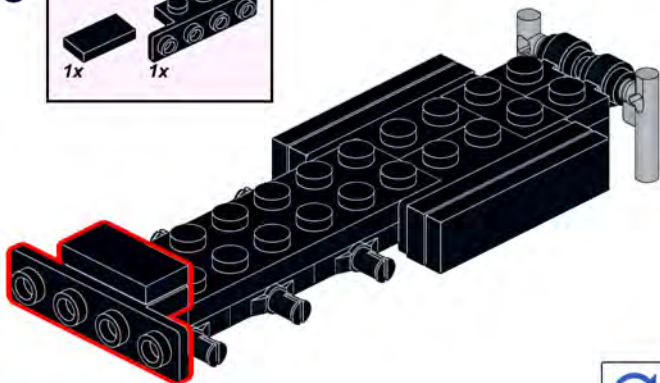
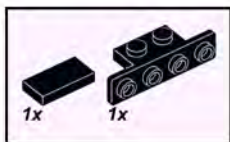
7



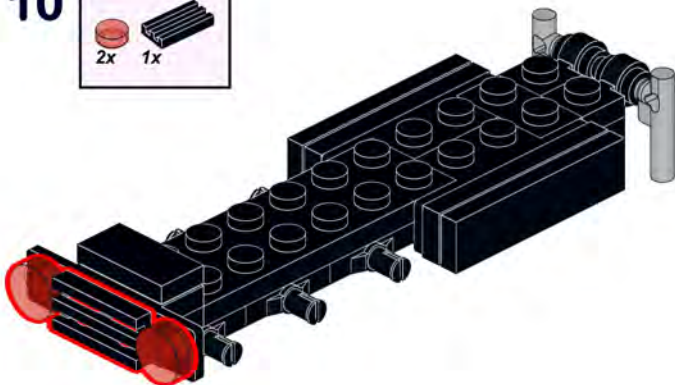
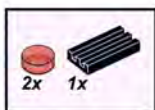
8



9



10

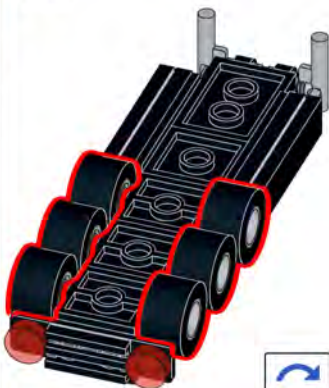


11

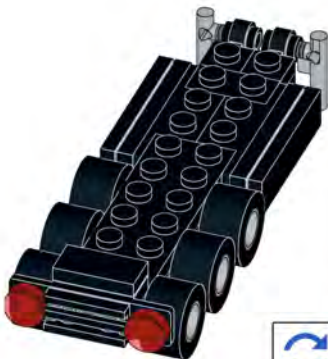
6x



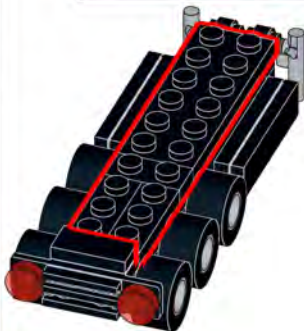
12



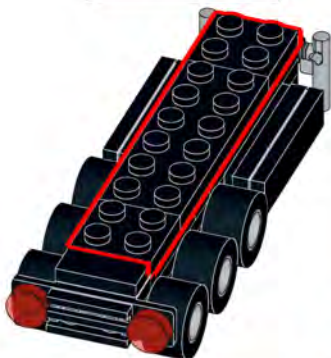
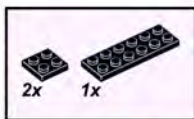
13



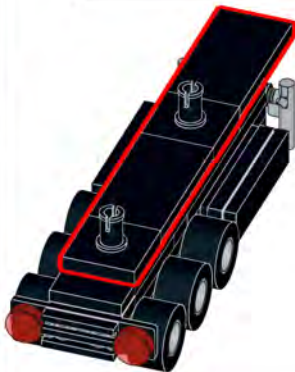
14



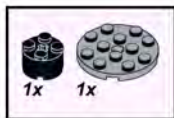
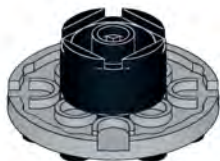
15



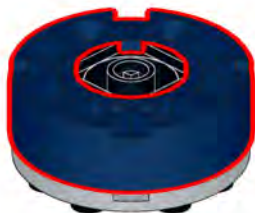
16



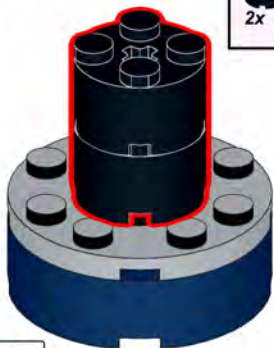
17



18



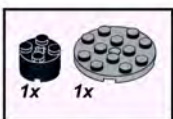
19



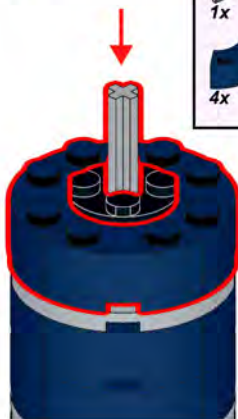
20



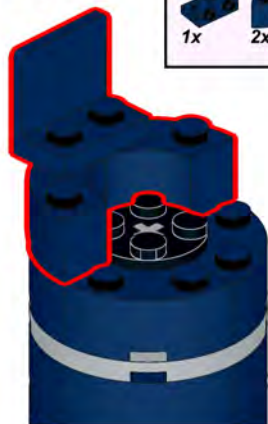
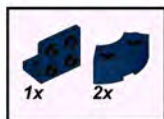
21



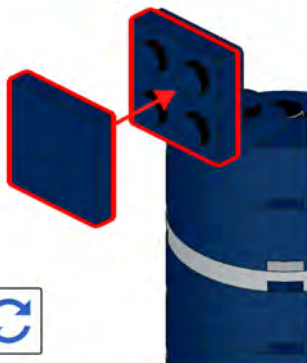
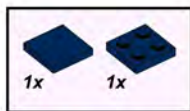
22



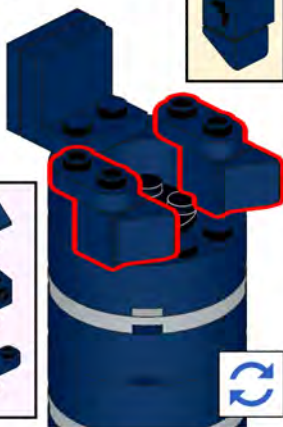
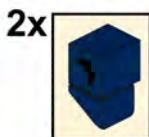
23



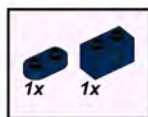
24



25



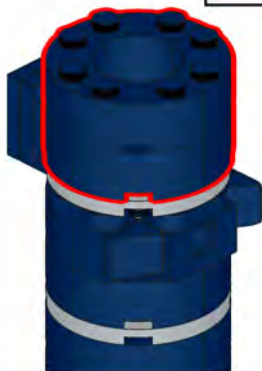
26



27



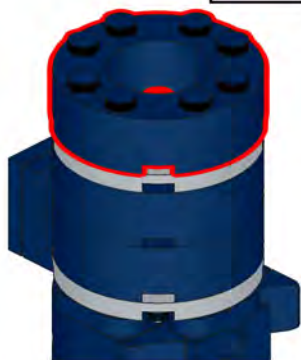
28

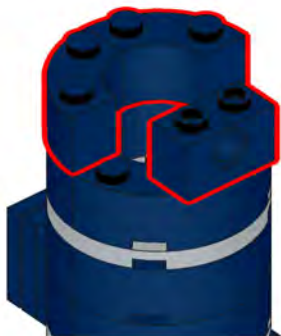
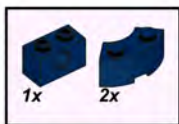
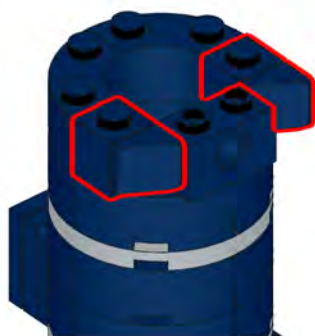
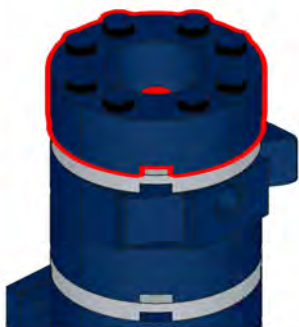


29



30

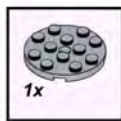


31**32****33****34**

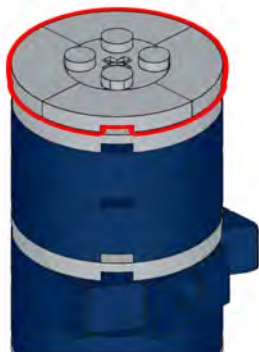
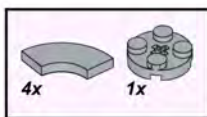
35



36



37



38



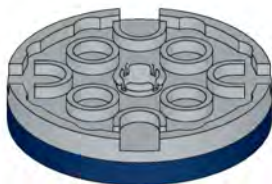
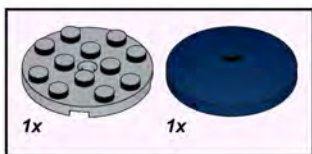
Add the sticker to the piece.

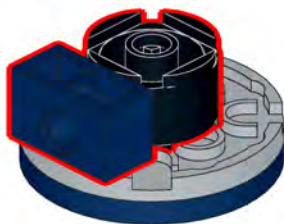
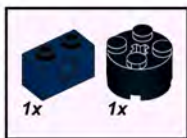
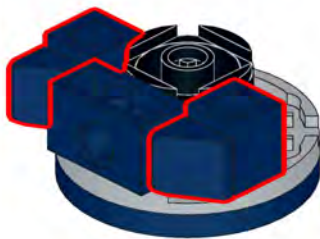
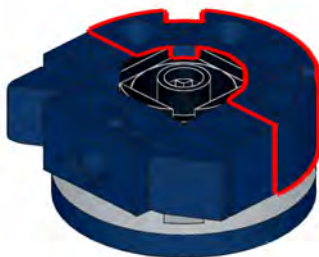
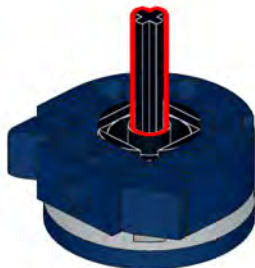


39

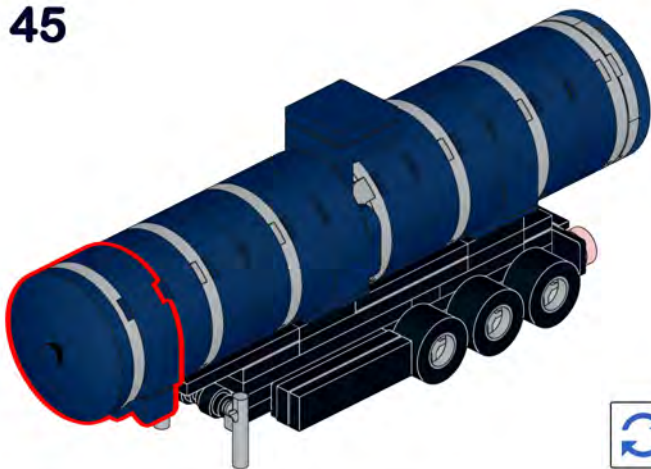


40

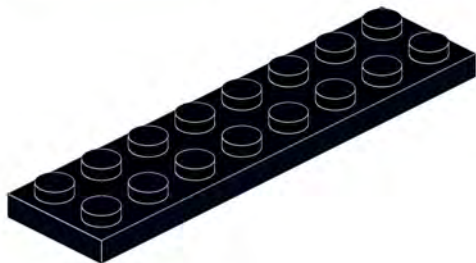
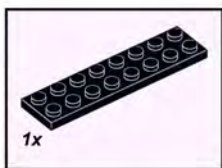


41**42****43****44**

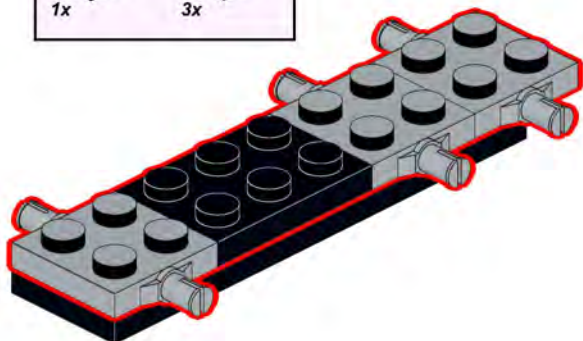
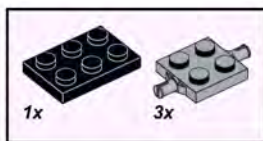
45



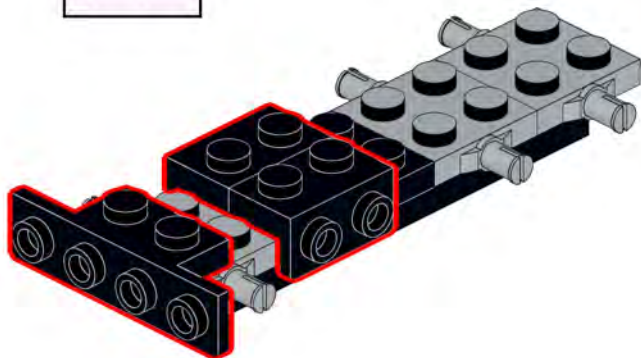
46



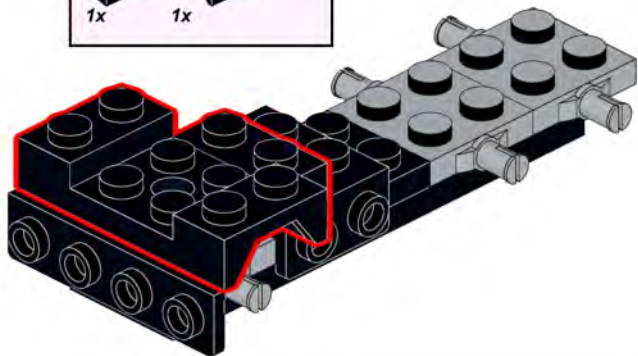
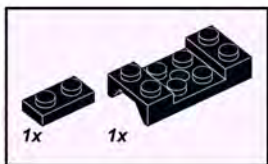
47



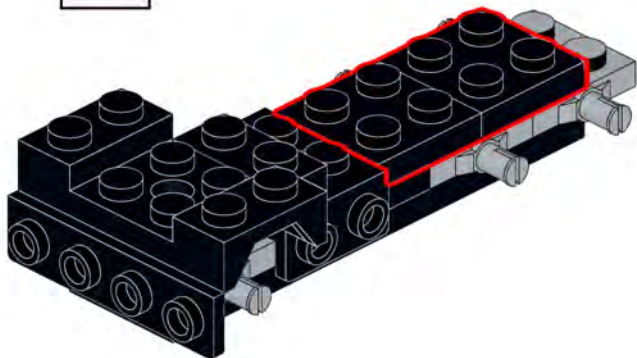
48



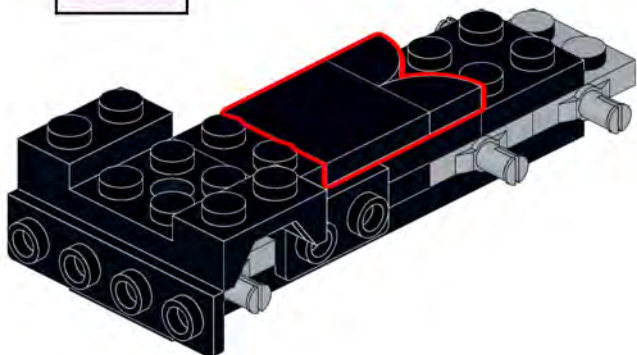
49



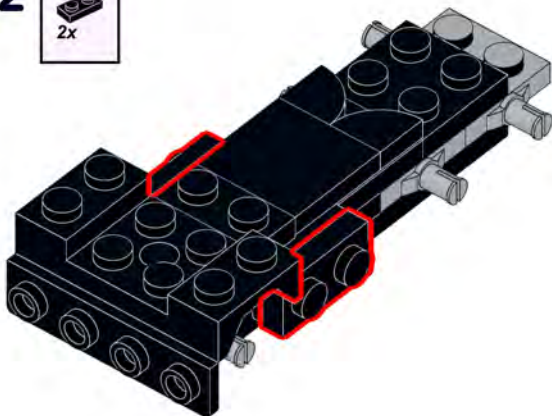
50



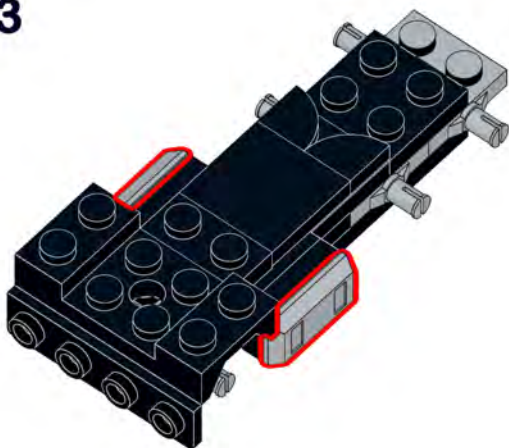
51



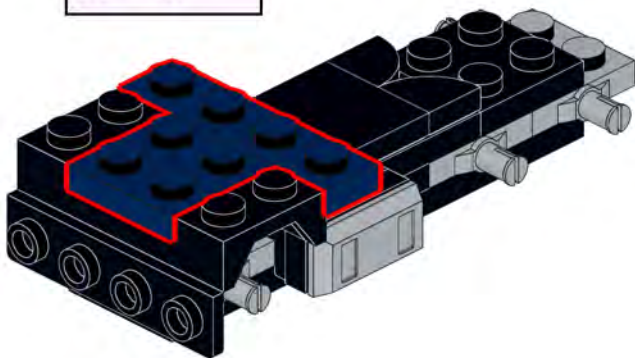
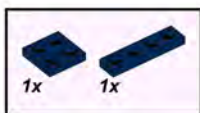
52



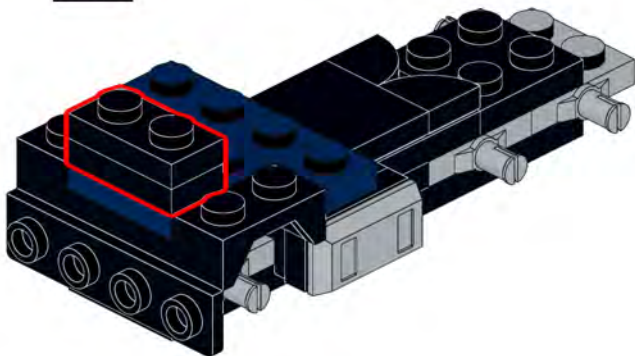
53



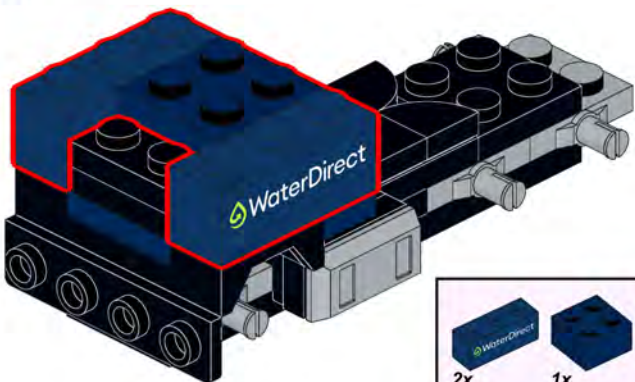
54



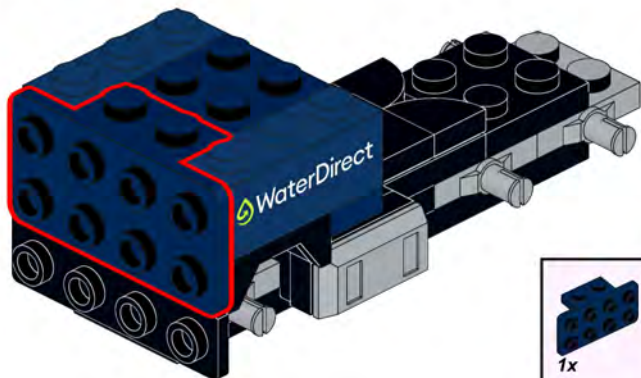
55



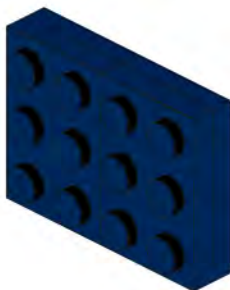
56



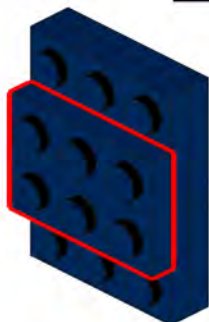
57



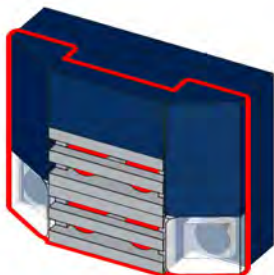
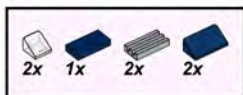
58



59



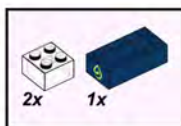
60



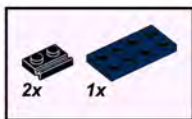
61



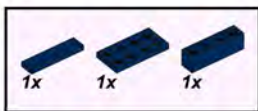
62



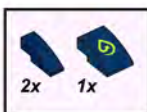
63



64

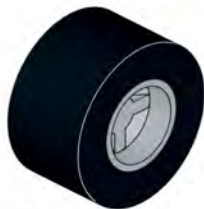


65



66

6x



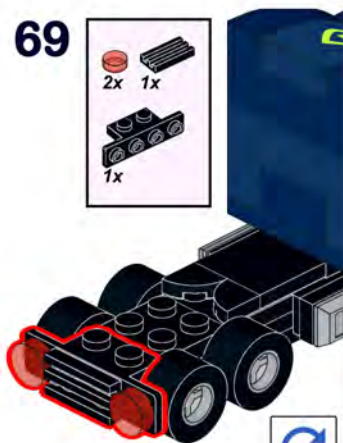
67



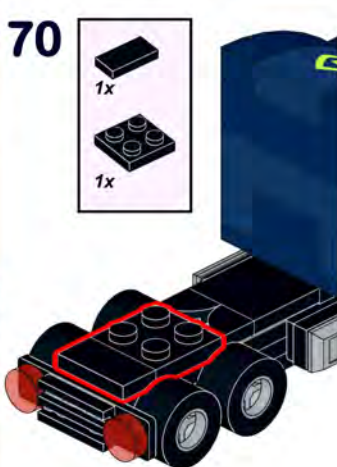
68



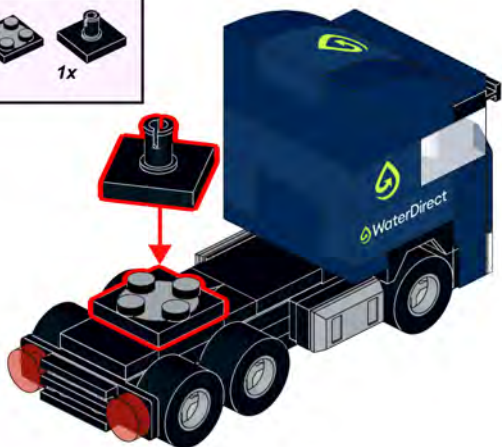
69



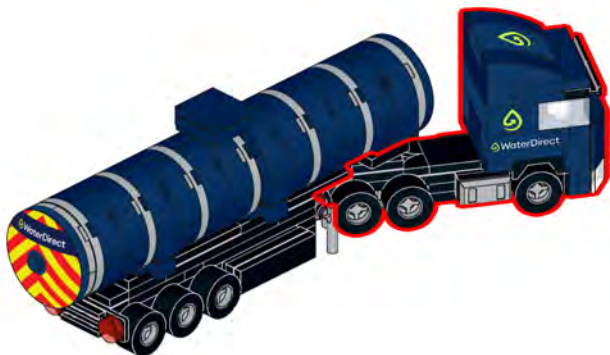
70



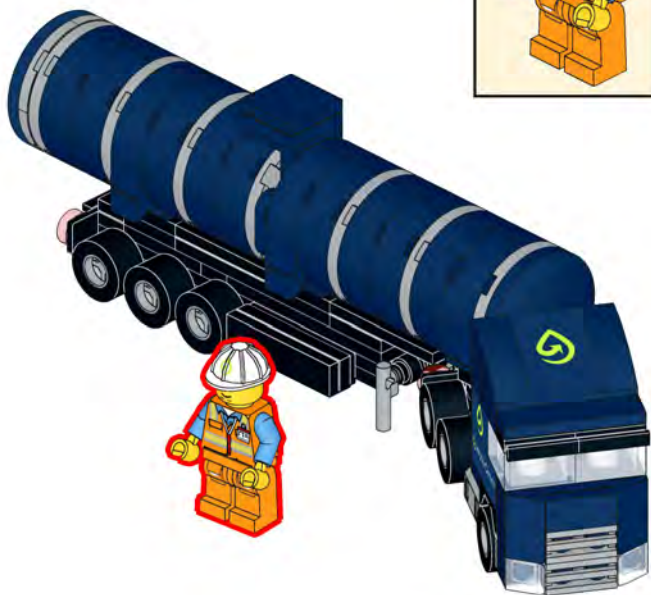
71



72



73



74

Add the sticker to the tanker barrel.



75



Water Direct is the UK's leading specialist in Alternative Water Supply (AWS) solutions.

Operating 24/7, and backed by a nationwide network, we support utilities, businesses and public-sector organisations during planned works and unplanned supply interruptions —helping protect business continuity and strengthen operational resilience.



Our services include:



WaterTight assured
emergency
response



Bulk
bottled
water



Tankering &
temporary
storage



Planned and
emergency water



Contingency
planning

BUILDA MOC

Kit Designed by BuildaMOC.com
For questions or missing pieces, contact us.

This is not a LEGO® Product. These are re-used LEGO elements that have been repackaged or altered from their original form. LEGO and the LEGO logo are trademarks of the LEGO Group, which does not sponsor, authorize or endorse this site or the modification/customization of LEGO elements. The LEGO Group does not accept any responsibility for unforeseen and/or adverse consequences following from the modification/customization.



WARNING:

CHOKING HAZARD — Small parts not for children under 14 years or any individuals who have a tendency to place inedible objects in their mouths.

 WaterDirect



**Water Direct
Water Tanker**

water-direct.co.uk/lego/